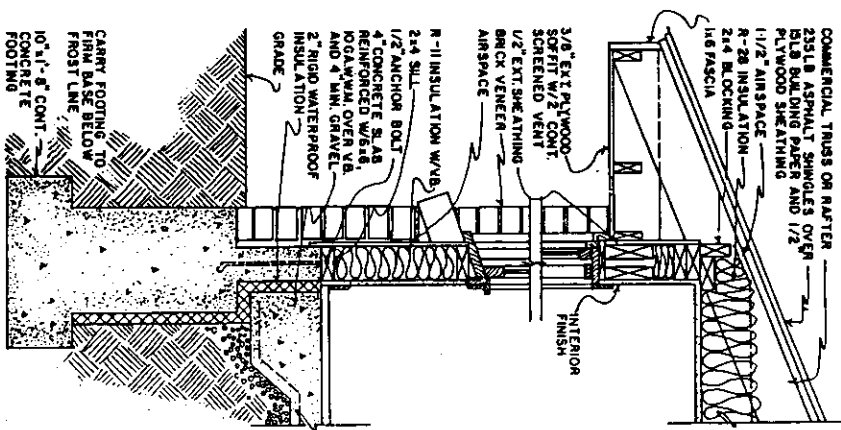
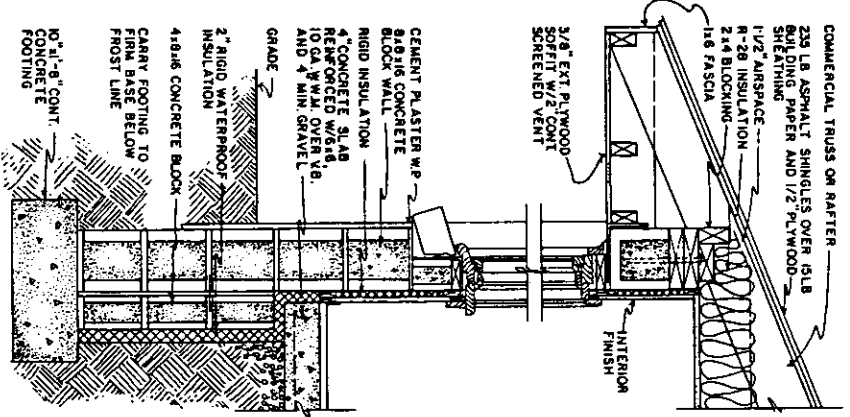


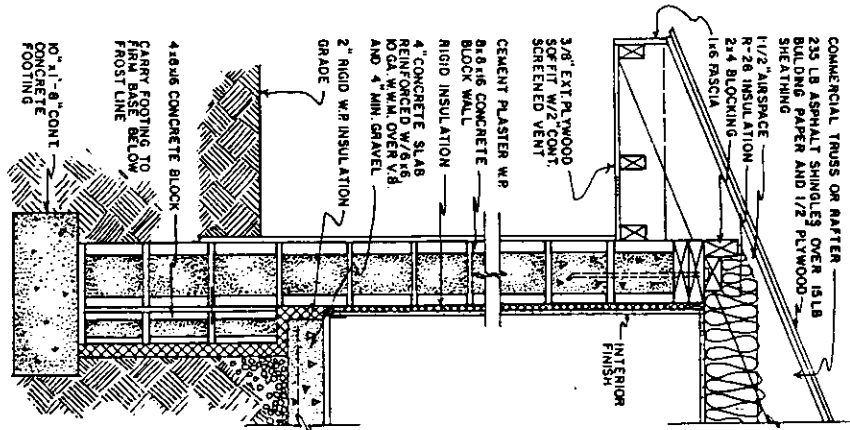
BRICK VENEER W/CRAWL SPACE OR BASEMENT



BRICK VENEER SLAB ON GRADE SHOWN W/WOOD DOUBLE HUNG WINDOWS.

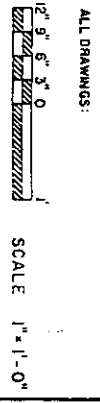


CONCRETE BLOCK SLAB ON GRADE SHOWN W/WOOD CASEMENT WINDOWS.



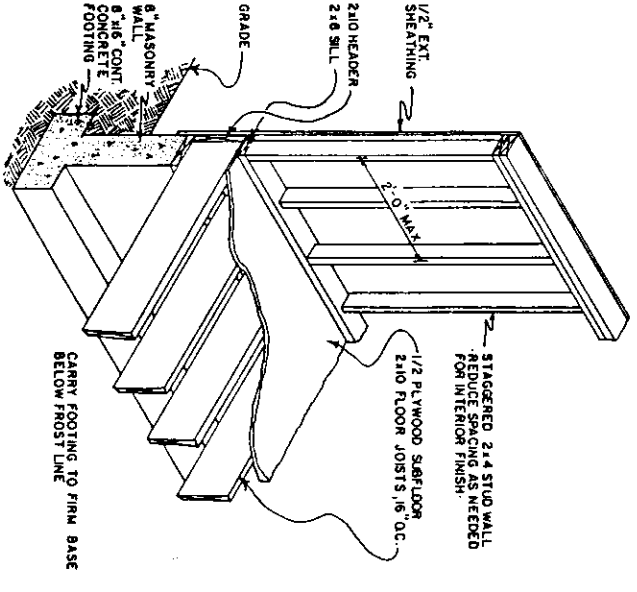
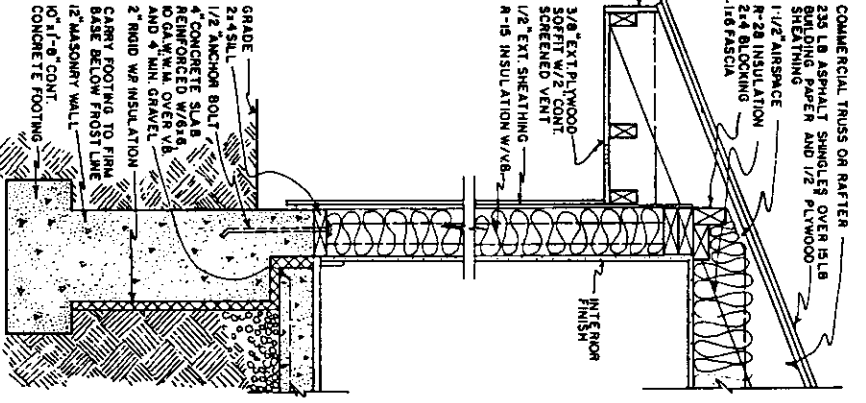
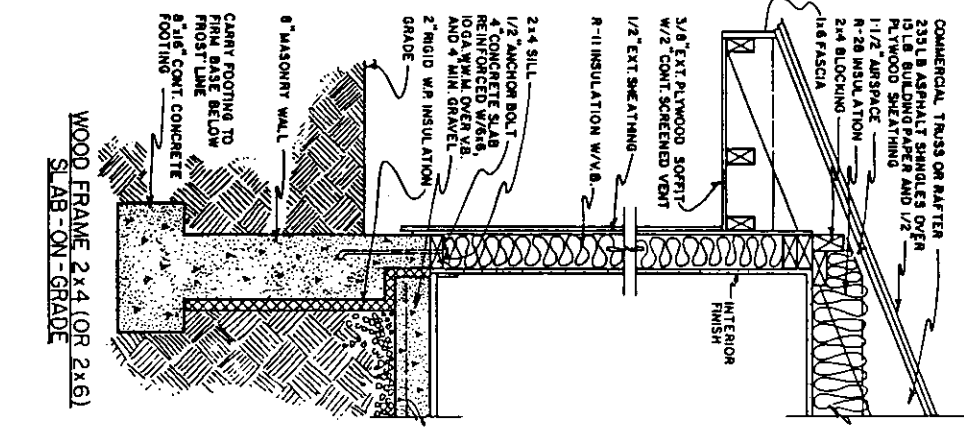
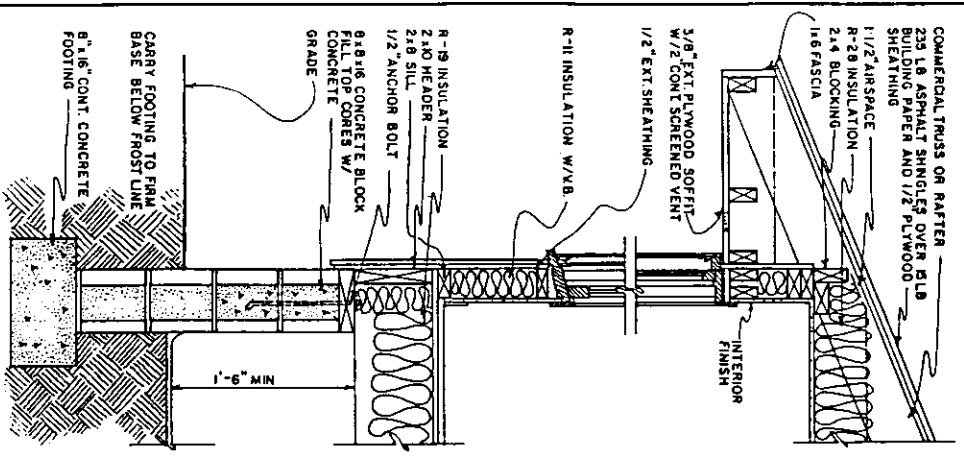
CONCRETE BLOCK SLAB ON GRADE.

THESE WALL DETAILS SHOW INSULATION PLACEMENT FOR CONCRETE BLOCK WALLS. CONCRETE BLOCK IF FILLED WITH INSULATION WOULD REDUCE HEAT LOSS BUT INTERIOR RIGID INSULATION OR FURRED OUT INTERIOR FINISH WITH INSULATION IS BETWEEN IS GENERALLY MORE EFFECTIVE.




COOPERATIVE EXTENSION SERVICE AGRICULTURE AND HOME ECONOMICS		
UNITED STATES DEPARTMENT OF AGRICULTURE COOPERATING		
HOUSE WALL DETAILS		
MD' 87	7270	SHEET 1 OF 2

1. CHECK LOCAL BUILDING CODE AND LOAN COMPANY CRITERIA. PURCHASE TRUSSES TO MEET LOCAL SNOW LOAD CRITERIA.
2. ADEQUATELY NAIL AND ANCHOR JOINTS.
3. DOUBLE JOISTS UNDER TUBS AND OTHER HEAVY LOADS.
4. SHEATH CORNERS WITH 1/2" PLYWOOD OR HIGH DENSITY FIBERBOARD OR USE DIAGONAL BRACING.
5. USE EXTERIOR GLUED PLYWOOD WHEREVER IT MAY BE WETTED DURING OR AFTER CONSTRUCTION.
6. PRESSURE TREAT ALL WOOD WITH GROUND CONTACT AND PROVIDE OTHER NEEDED TERMITTE CONTROL.
7. R VALUES DEPEND ON LOCAL CLIMATE AND FUEL COSTS.
8. PROVIDE 1 SQ FT OF ATTIC VENT OPENINGS FOR EACH 150 SQ FT OF CEILING.
9. WEATHERIZE ALL OPENINGS AND JOINTS.



WOOD FRAME - STAGGERED 2x4'S.
SLAB - ON - GRADE

WOOD FRAME - STAGGERED 2x4'S.
W/CRAWL SPACE OR BASEMENT

ALL DRAWINGS:
 SCALE 1" = 1'-0"

COOPERATIVE EXTENSION SERVICE AGRICULTURE AND HOME ECONOMICS UNITED STATES DEPARTMENT OF AGRICULTURE COOPERATING AND			
HOUSE WALL DETAILS			
MD' 87	7270	SHEET 2 OF 2	

WOOD FRAME W/CRAWL SPACE OR BASEMENT - SHOWN W/WOOD DOUBLE-HUNG WINDOWS.

WOOD FRAME 2x4 (OR 2x6) SLAB - ON - GRADE